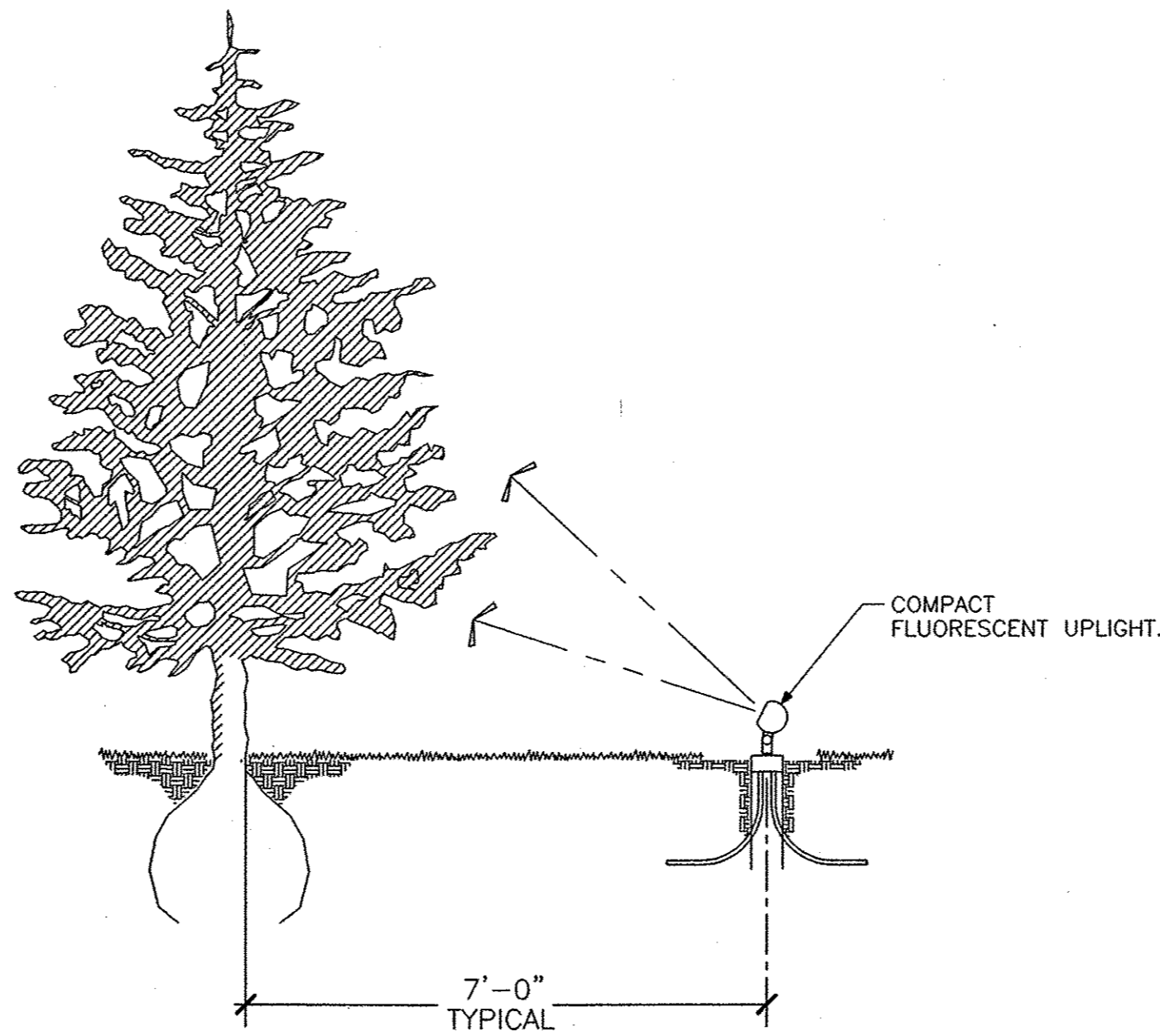


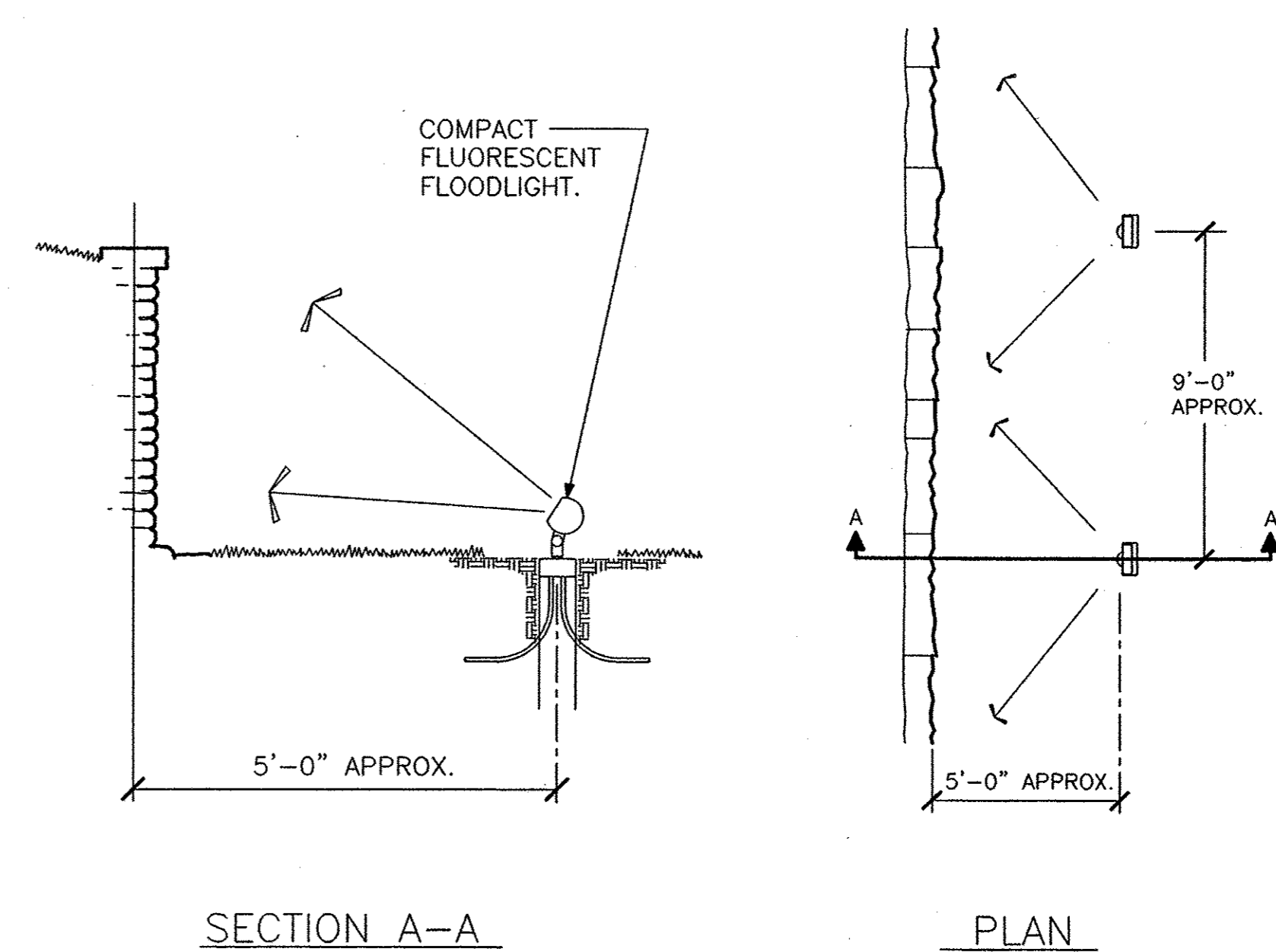
SCHMATIC DIAGRAM FOR CCI AND CC2
N.T.S.

7



LANDSCAPE LUMINAIRE LOCATION
DETAIL AT TREE
SCALE: N.T.S.

6



LANDSCAPE LUMINAIRE
LOCATION DETAIL AT STONE WALL
SCALE: N.T.S.

5

PANEL CC2		100 MLO 120/240V 1#3W		SURFACE 10000AIC	
DESCRIPTION	LOAD	BKR	BKR	LOAD	DESCRIPTION
BOLLARD	490	20	20	200	TREE LIGHTING
STRUCTURE	115	20	20	200	TREE LIGHTING
STR. RECEPT.	480	20	20	200	WALL LIGHTING
TREE RECEPT.	960	20	20	200	WALL LIGHTING
TREE RECEPT.	960	20	20	100	IRR CONTROLLER
STR. LIGHTING	720	20	20	50	TIME CLOCK
SPACE					SPACE
SPACE					SPACE
SPACE					SPACE

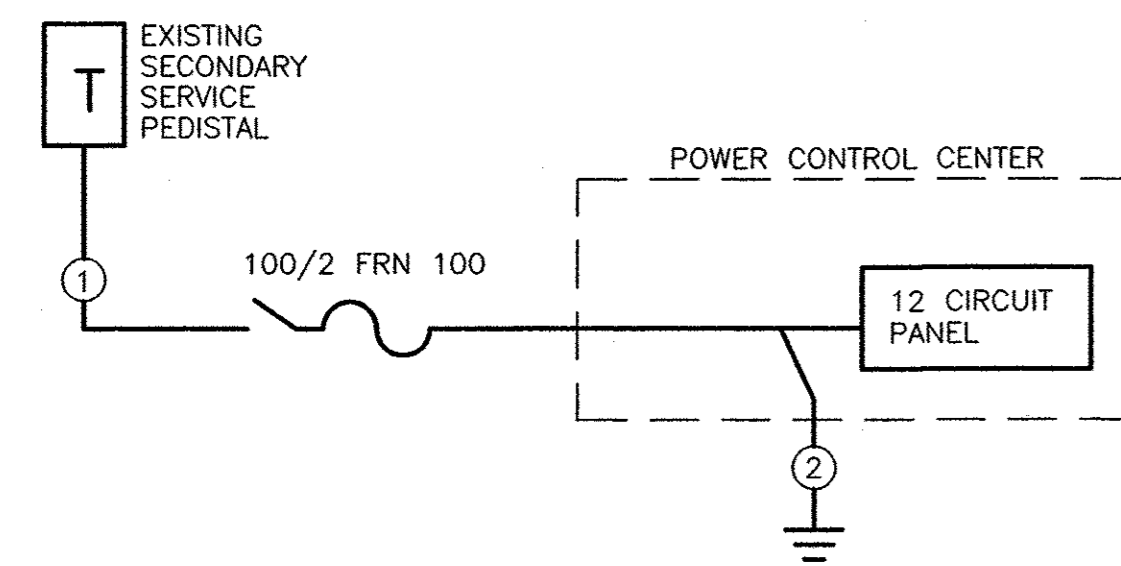
* VIA LTG. CONTACTOR LC1
*** VIA LIGHTING CONTACTOR LC2

PANEL CC1		100 MLO 120/240V 1#3W		SURFACE 10000AIC	
DESCRIPTION	LOAD	BKR	BKR	LOAD	DESCRIPTION
BOLLARD	350	20	20	200	TREE LIGHTING
STRUCTURE	115	20	20	200	TREE LIGHTING
STR. RECEPT.	480	20	20	720	STR. LIGHTING
TREE RECEPT.	960	20	20		SPACE
SPACE				50	TIME CLOCK
SPACE					SPACE
SPACE					SPACE

* VIA LTG. CONTACTOR LC1
*** VIA LIGHTING CONTACTOR LC2

PANEL SCHEDULES
N.T.S.

8

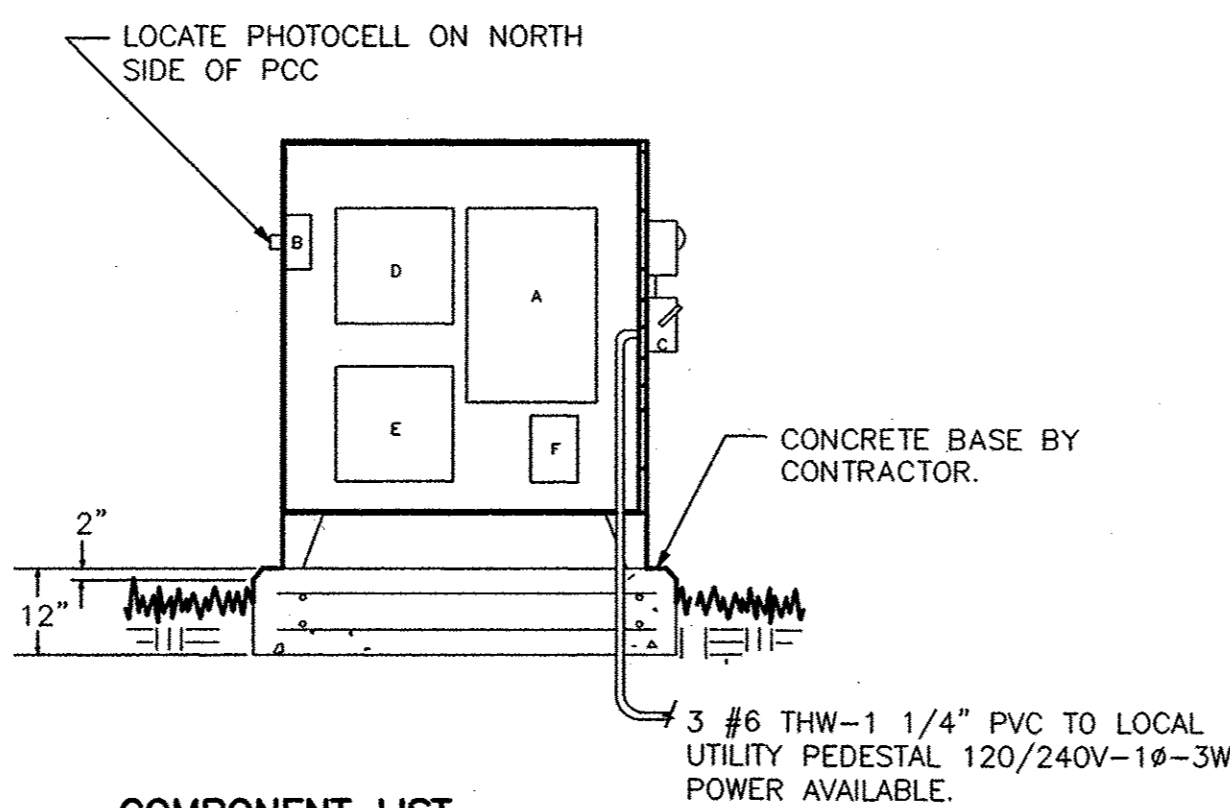


- ① 3 #6 THW - 1-1/4" PVC. (GRC ABOVE GRADE)
- ② 1 #6 THW TO GROUND ROD.

ONE-LINE DIAGRAM
N.T.S.

4

POWER CONTROL CENTER TO BE MANUFACTURED BY A PANELBUILDER (CIRCLE AW 30308RHC, N3030P W/MFK12) SHALL BE NEMA 3R CONSTRUCTION OF 12 GAUGE MINIMUM GALVANIZED SHEET STEEL PAINTED INSIDE AND OUT WITH STANDARD GRAY ENAMEL. CONTRACTOR TO VERIFY THAT ENCLOSURE SHALL BE OF SUFFICIENT SIZE TO ACCOMMODATE THE COMPONENTS DESCRIBED. ENCLOSURE SHALL HAVE A HINGED COVER WITH LOCKING "T" HANDLE. ENCLOSURE SHALL BE SUITABLE FOR PAD MOUNTING.

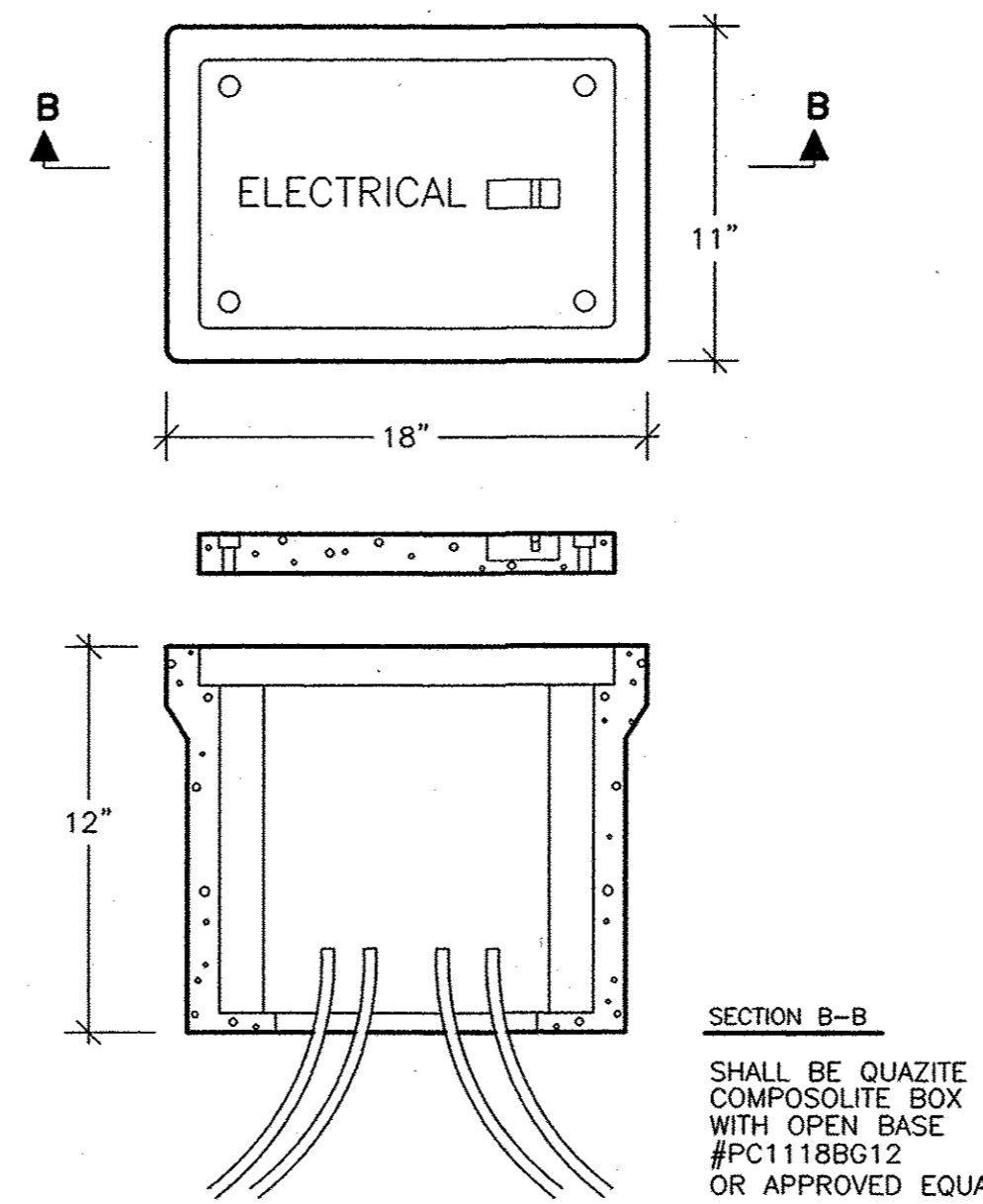


COMPONENT LIST

- A. 120/240V, 1 PHASE 3 WIRE, 18 CIRCUIT MAIN LUG LOAD CENTER BY CUTLER-HAMMER, SQUARE D, ITE OR GE.
- B. TORK #3000 PHOTOCELL.
- C. 100A, 2 POLE FUSE DISCONNECT, UL LISTED FOR SERVICE EQUIPMENT AND WITH FRN 100 FUSES AND METER HOUSING.
- D. MECHANICALLY HELD 4-POLE LIGHTING CONTACTOR LC1.
- E. MECHANICALLY HELD 4-POLE LIGHTING CONTACTOR LC2.
- F. SINGLE POLE BYPASS SWITCHES IN HANDY BOX ENCLOSURE.

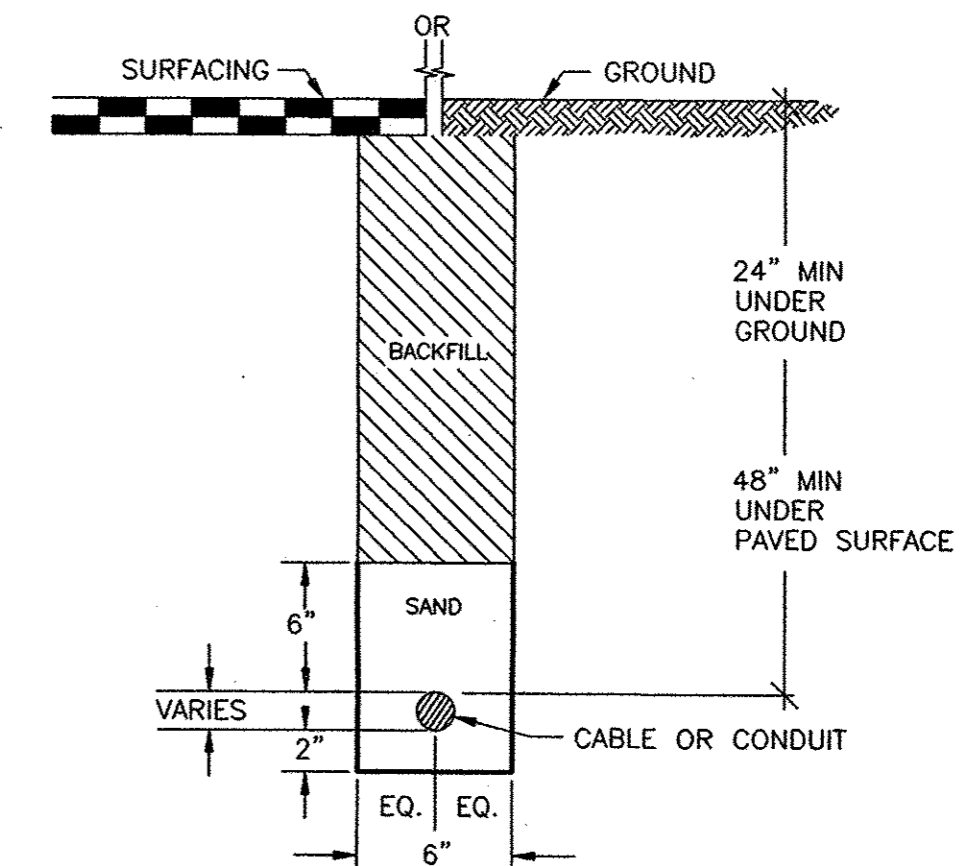
POWER CONTROL CENTER 'PI'
N.T.S.

3



TYPICAL SPLICE BOX
N.T.S.

2



TYPICAL UNDERGROUND BURIAL
CABLE OR CONDUIT
N.T.S.

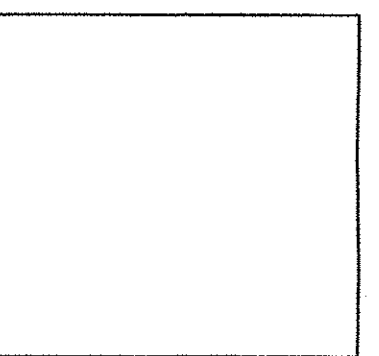
1



DOWNING
THORPE
JAMES

ARCHITECTURE
PLANNING
LANDSCAPE ARCHITECTURE
ENGINEERING
1881 Ninth Street, Suite 103
Boulder, Colorado 80302
303-443-7533

HIGHLANDS RANCH
GOLF CLUB



CLANTON
ENGINEERING
CONSULTANTS IN LIGHTING DESIGN
4699 MULTIFLUS
COURT SOUTH STE. 102
BOULDER, CO 80301
(303)530-7229

SCALE: 1"=20'
DRAWN BY: JH
CHECKED BY: DN
PROJECT NUMBER: 97098.41
ISSUE DATE: AUGUST 26, 1998
REVISIONS:

SHEET TITLE:
LIGHTING
ELECTRICAL
DETAILS

SHEET NUMBER:

LED-1

BID DOCUMENT